

WARNING:

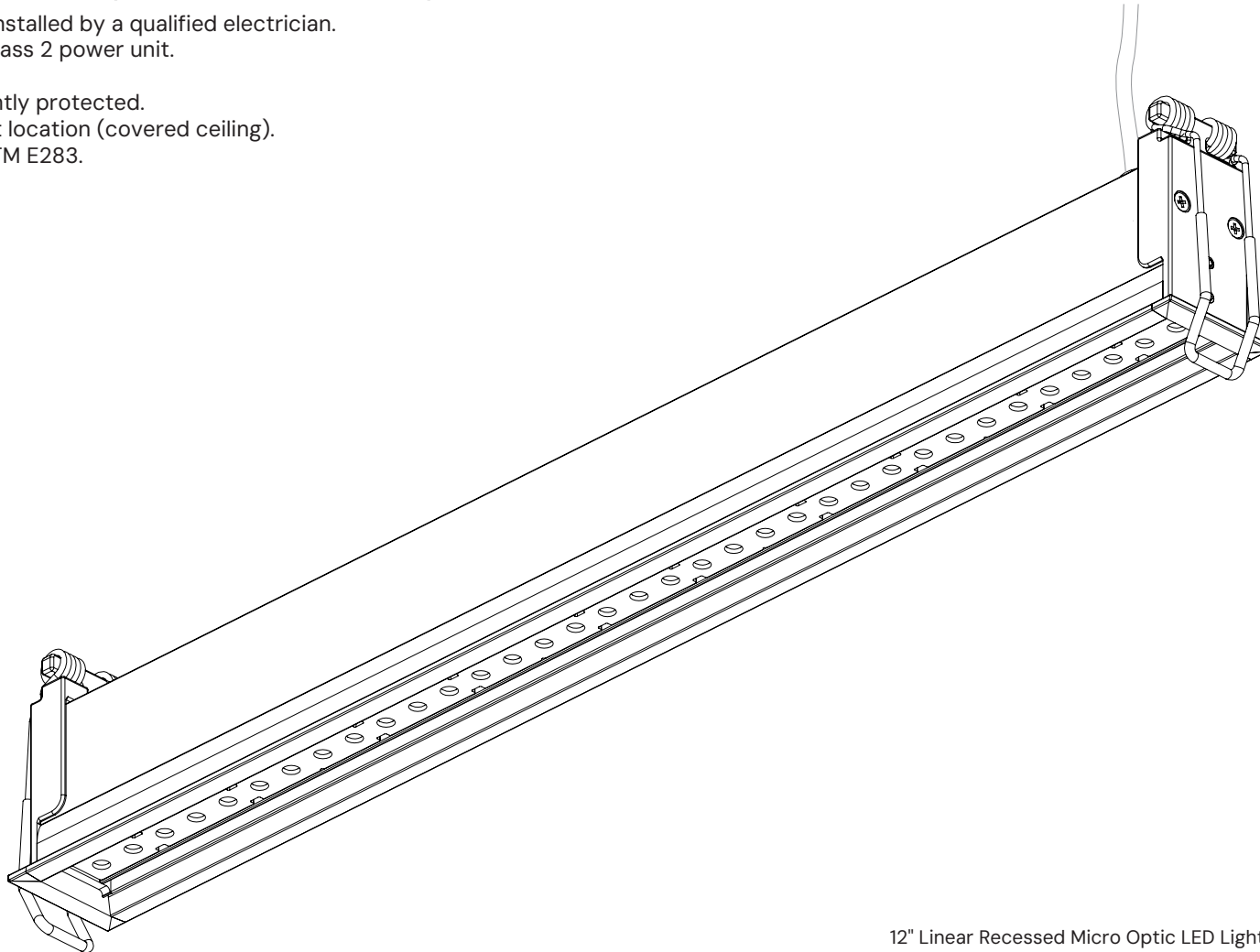


RISK OF FIRE AND ELECTRICAL SHOCK. FIXTURE MUST BE INSTALLED BY A QUALIFIED ELECTRICIAN ONLY IN ACCORDANCE WITH NATIONAL, LOCAL BUILDING AND ELECTRICAL CODES. DISCONNECT POWER AT ELECTRICAL PANEL BEFORE SERVICING.

15301 INSTALLATION INSTRUCTIONS FOR LINEAR RECESSED MICRO OPTIC LED LIGHT

Please read all instructions prior to installation and keep for future reference!

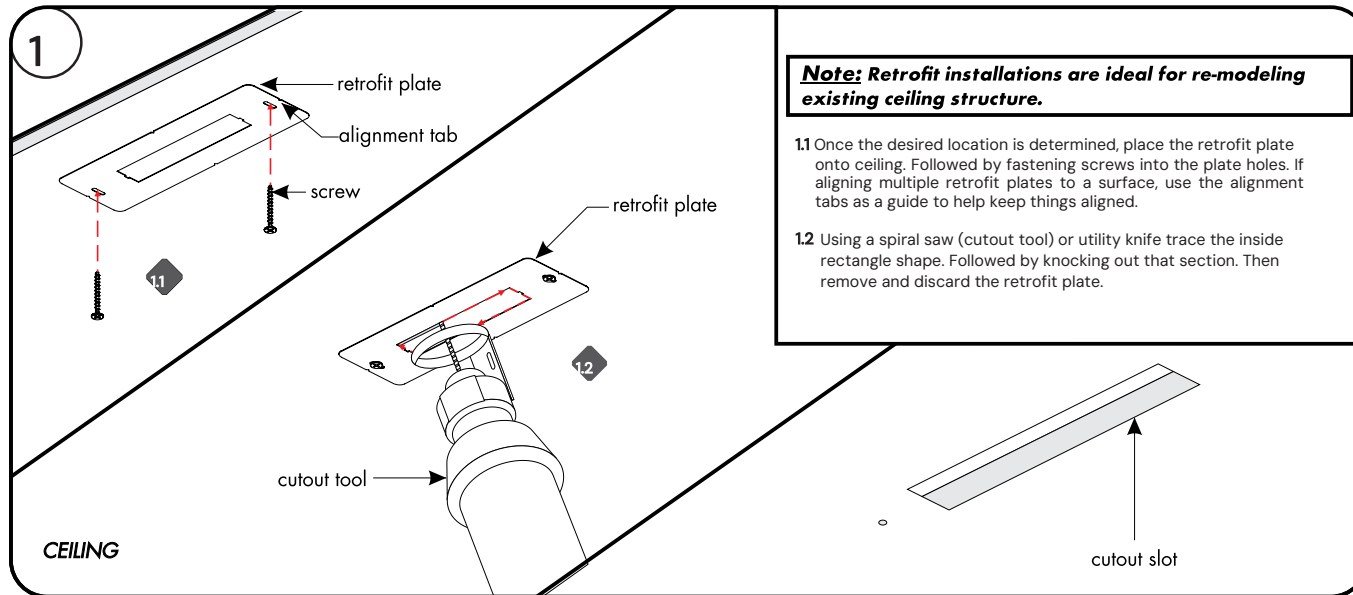
1. Product to be installed by a qualified electrician.
2. Use only with class 2 power unit.
3. 24 VOLTS DC.
4. Type IC, inherently protected.
5. Suitable for wet location (covered ceiling).
6. Airtight per ASTM E283.



12" Linear Recessed Micro Optic LED Light

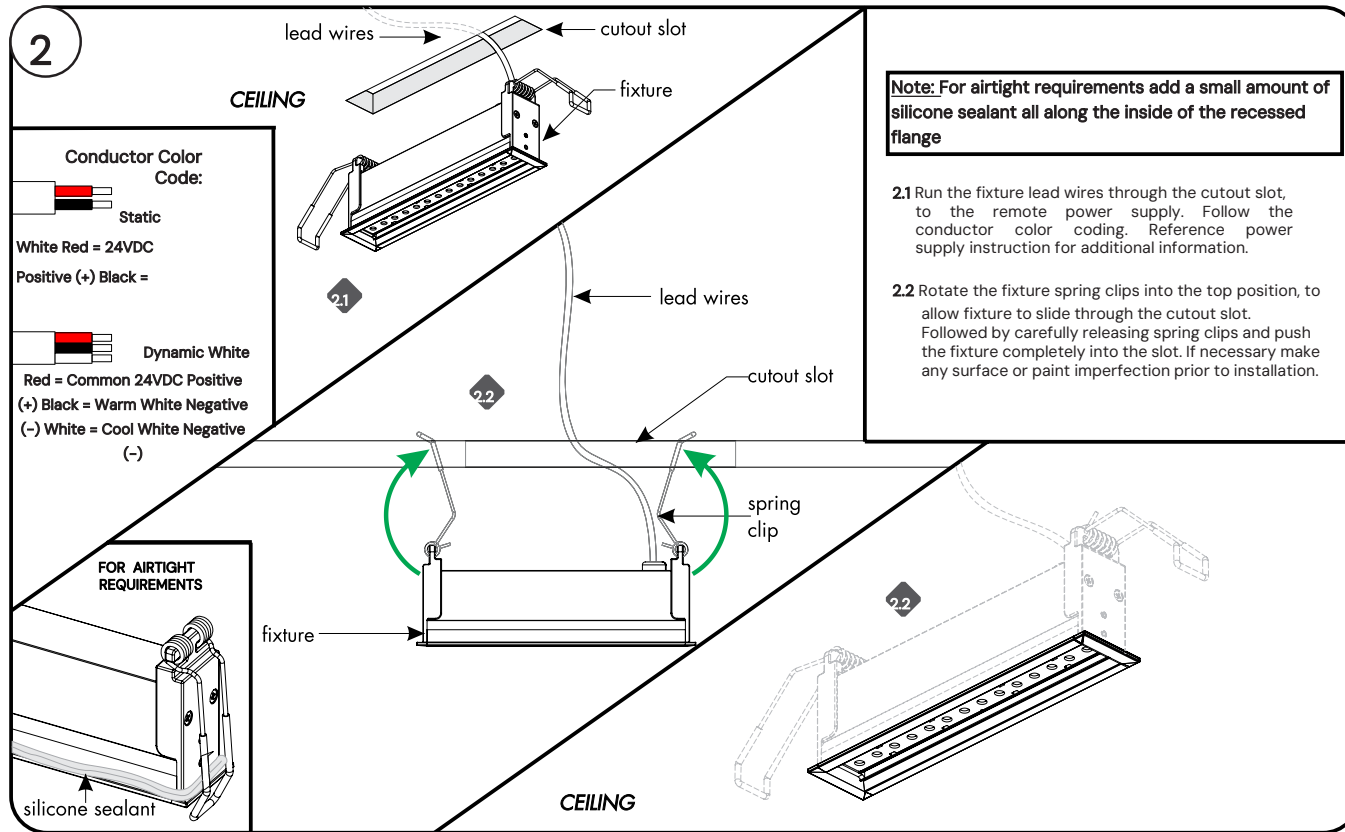
15301 INSTALLATION INSTRUCTIONS FOR LINEAR RECESSED MICRO OPTIC LED LIGHT

Mounting Method 1: Retrofit Install



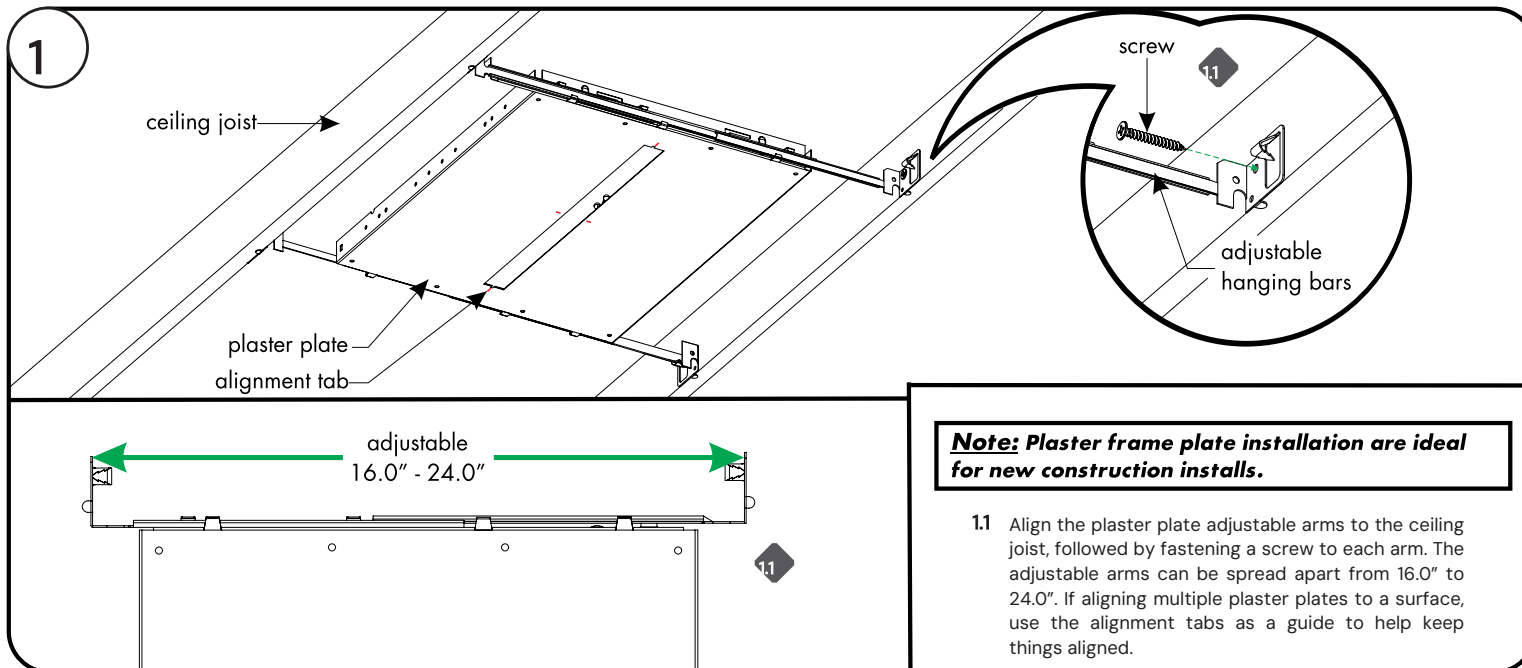
15301 INSTALLATION INSTRUCTIONS FOR LINEAR RECESSED MICRO OPTIC LED LIGHT

Mounting Method 1: Retrofit Install



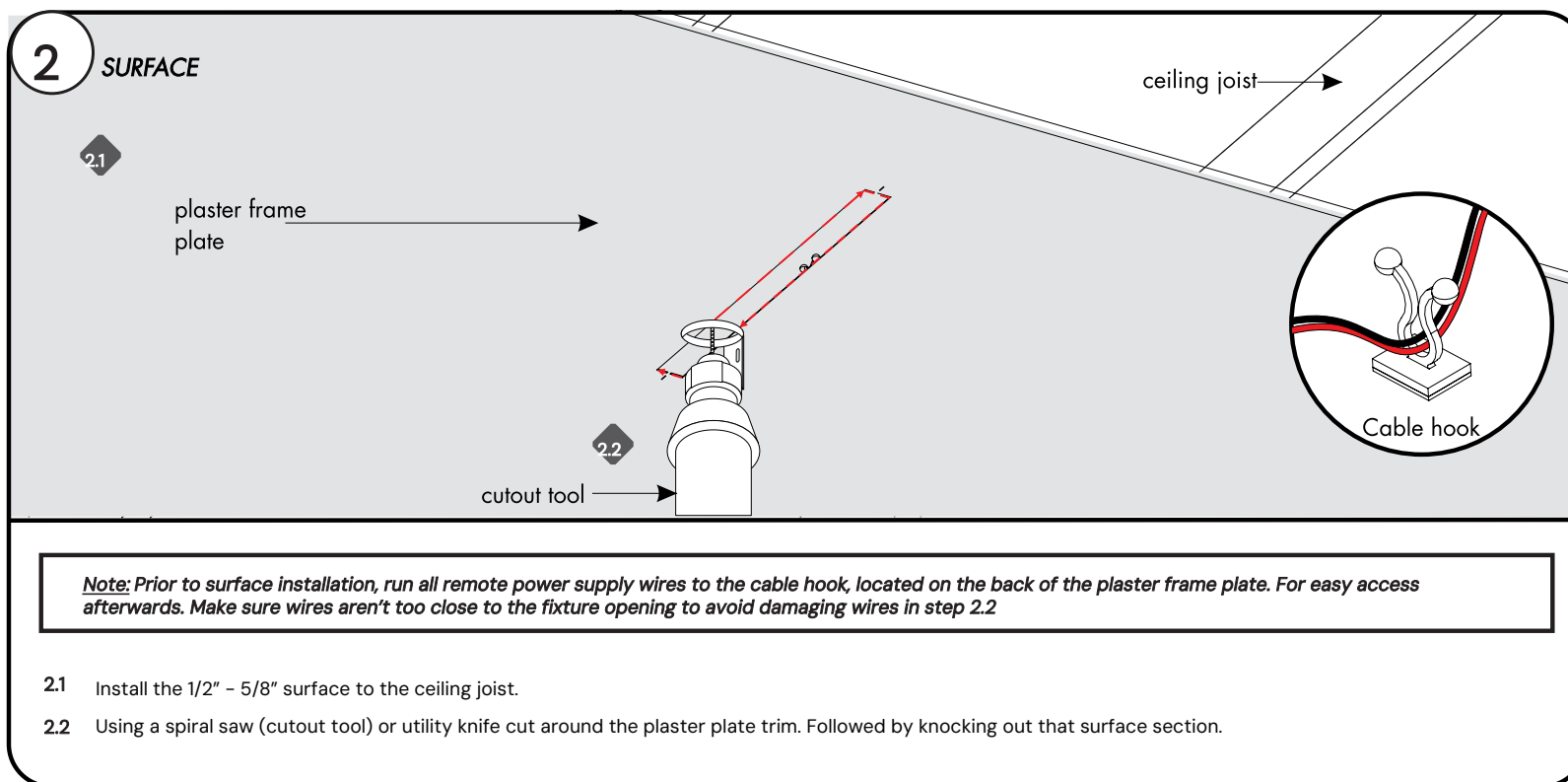
15301 INSTALLATION INSTRUCTIONS FOR LINEAR RECESSED MICRO OPTIC LED LIGHT

Mounting Method: Plaster Frame Hanger Bar Plate Installation



15301 INSTALLATION INSTRUCTIONS FOR LINEAR RECESSED MICRO OPTIC LED LIGHT

Mounting Method: Plaster Frame Hanger Bar Plate Installation



15301 INSTALLATION INSTRUCTIONS FOR LINEAR RECESSED MICRO OPTIC LED LIGHT

3

lead wires

adjustable arm

ceiling joist surface

Conductor Color Code:

- Static
- White Red = 24VDC
- Positive (+) Black =
- Negative (-) Dynamic White
- Red = Common 24VDC Positive
- (+) Black = Warm White Negative
- (-) White = Cool White Negative
- (-)

plaster plate

drywall

fixture

FOR AIRTIGHT REQUIREMENTS

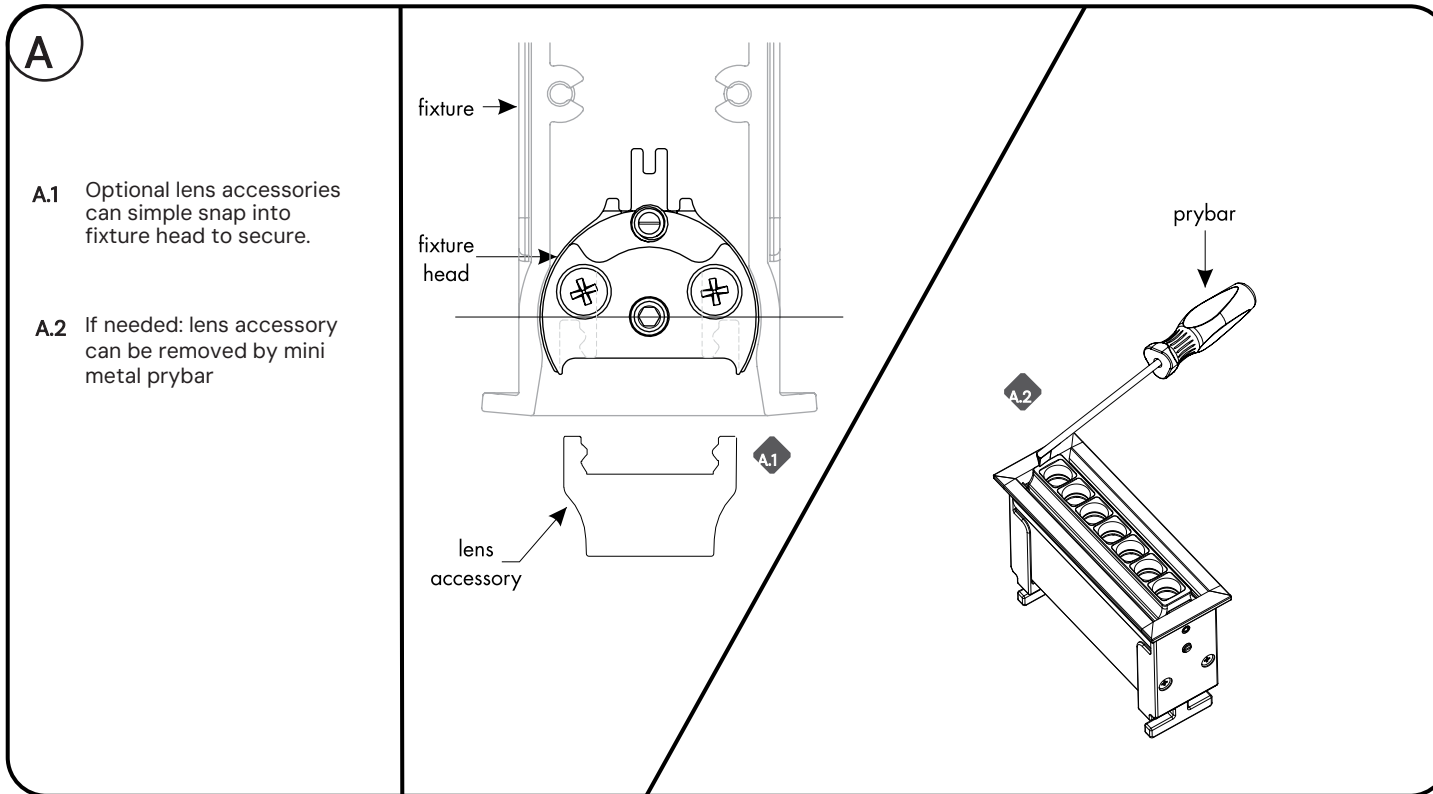
silicone sealant

3.1 Run the fixture lead wires through the cutout slot, to the remote power supply. Reference power supply instruction for additional information.

3.2 Rotate the fixture spring clips into the top position, to allow fixture to slide through the cutout slot. Followed by carefully releasing spring clips and push the fixture completely into the slot. If necessary make any surface or paint imperfection prior to installation.

Note: For airtight requirements add a small amount of silicone sealant all along the inside of the recessed flange

15301 INSTALLATION INSTRUCTIONS FOR LINEAR RECESSED MICRO OPTIC LED LIGHT

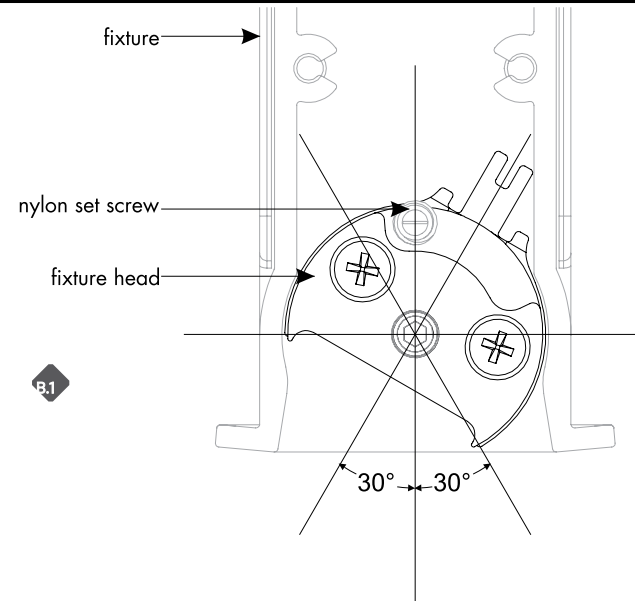


15301 INSTALLATION INSTRUCTIONS FOR LINEAR RECESSED MICRO OPTIC LED LIGHT

B

B.1 If necessary fixture head beam angle is adjustable! Carefully push on the edge of the head to either side, fixture head can rotate 30° in either direction. Once head is adjusted to the desired angle, fixture head stays in place.

Note: If fixture head locked in position slightly loosen the nylon set screws to adjust. Once beam angle is achieved, tighten nylon set screw to secure the position.



15301 INSTALLATION INSTRUCTIONS FOR LINEAR RECESSED MICRO OPTIC LED LIGHT

TOOL(S) NEEDED:

Cutout tool, Cordless drill and an elbow or L-shape adapter with Philips Insert Bit extension.

